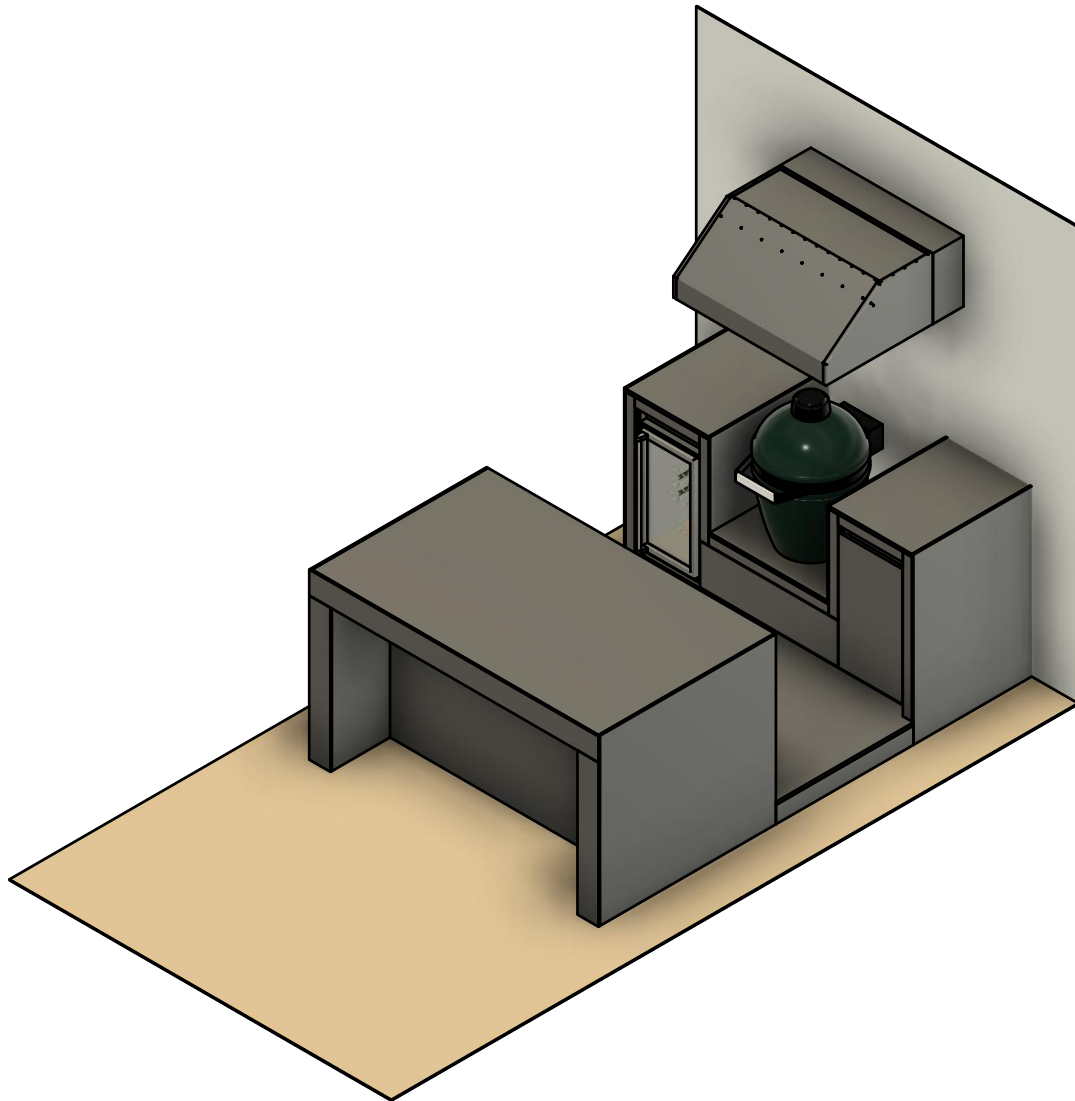
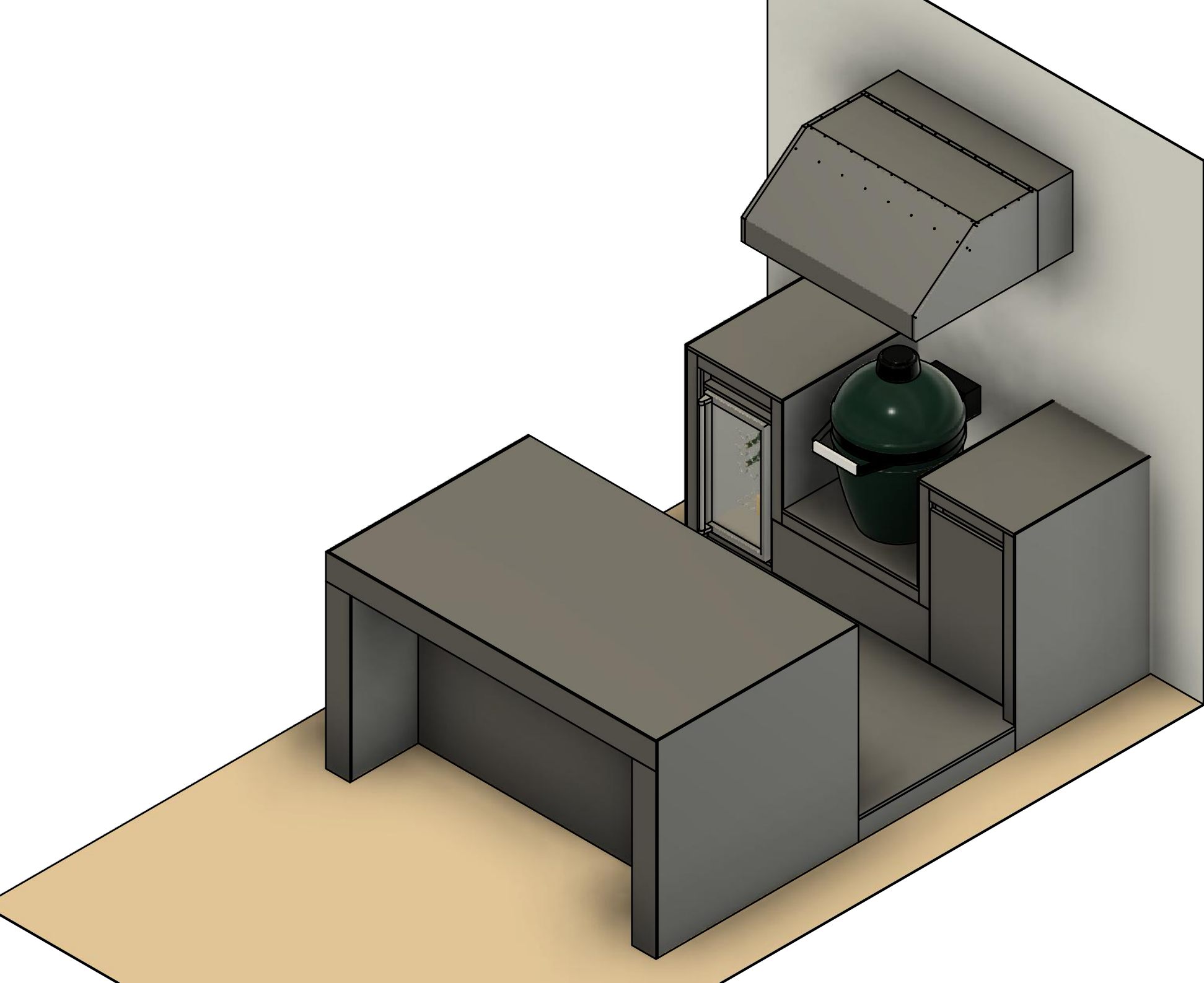
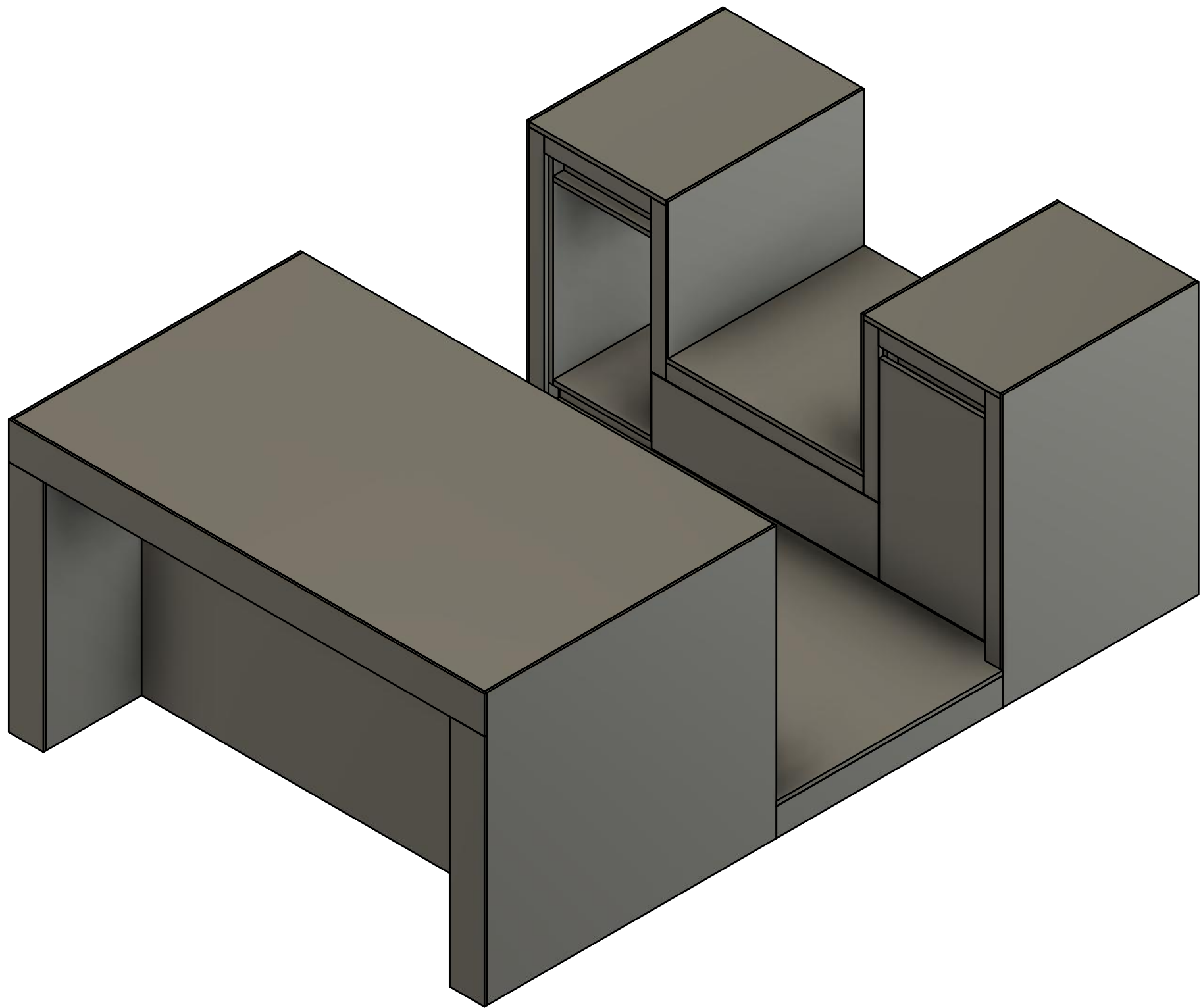


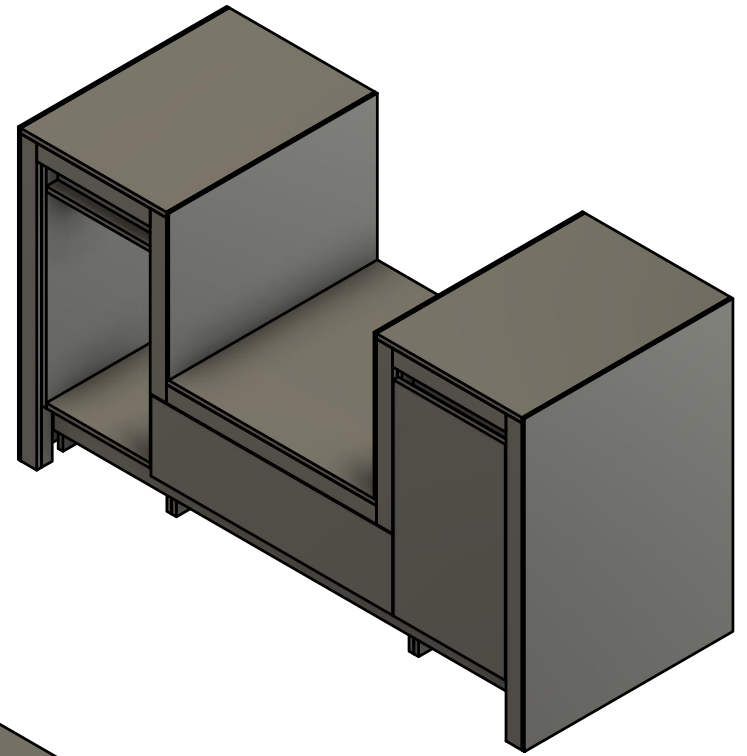
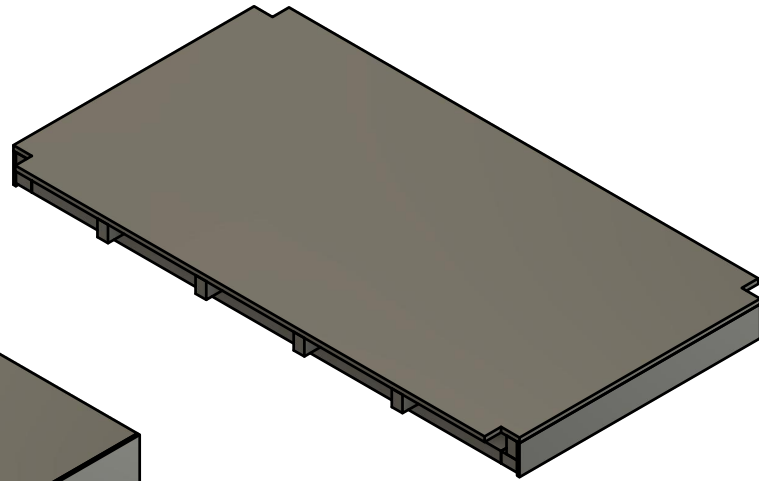
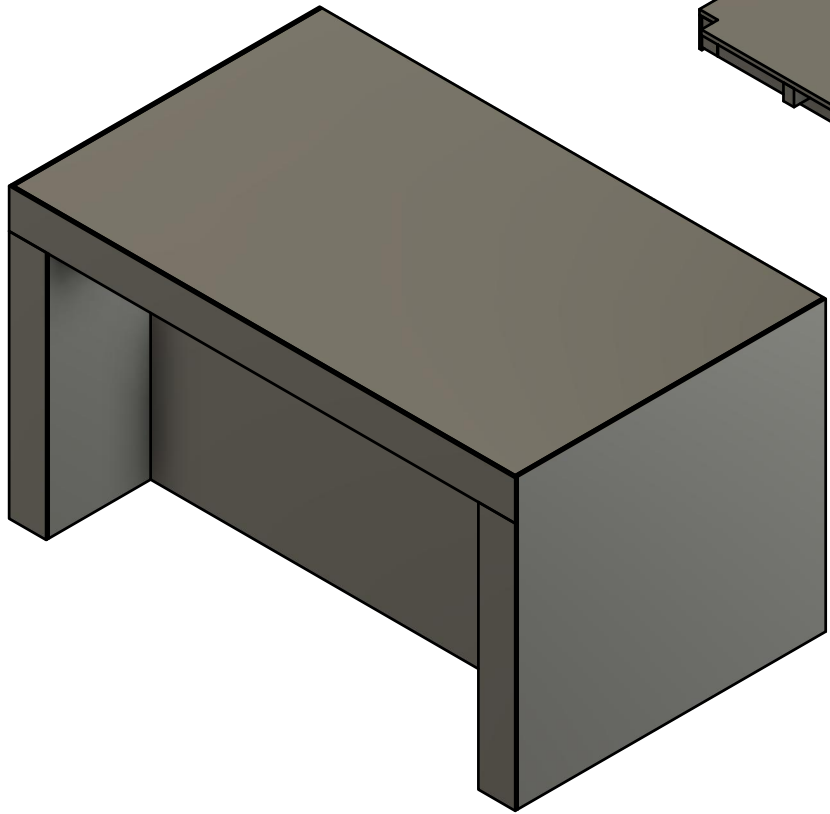
Outdoor kitchen

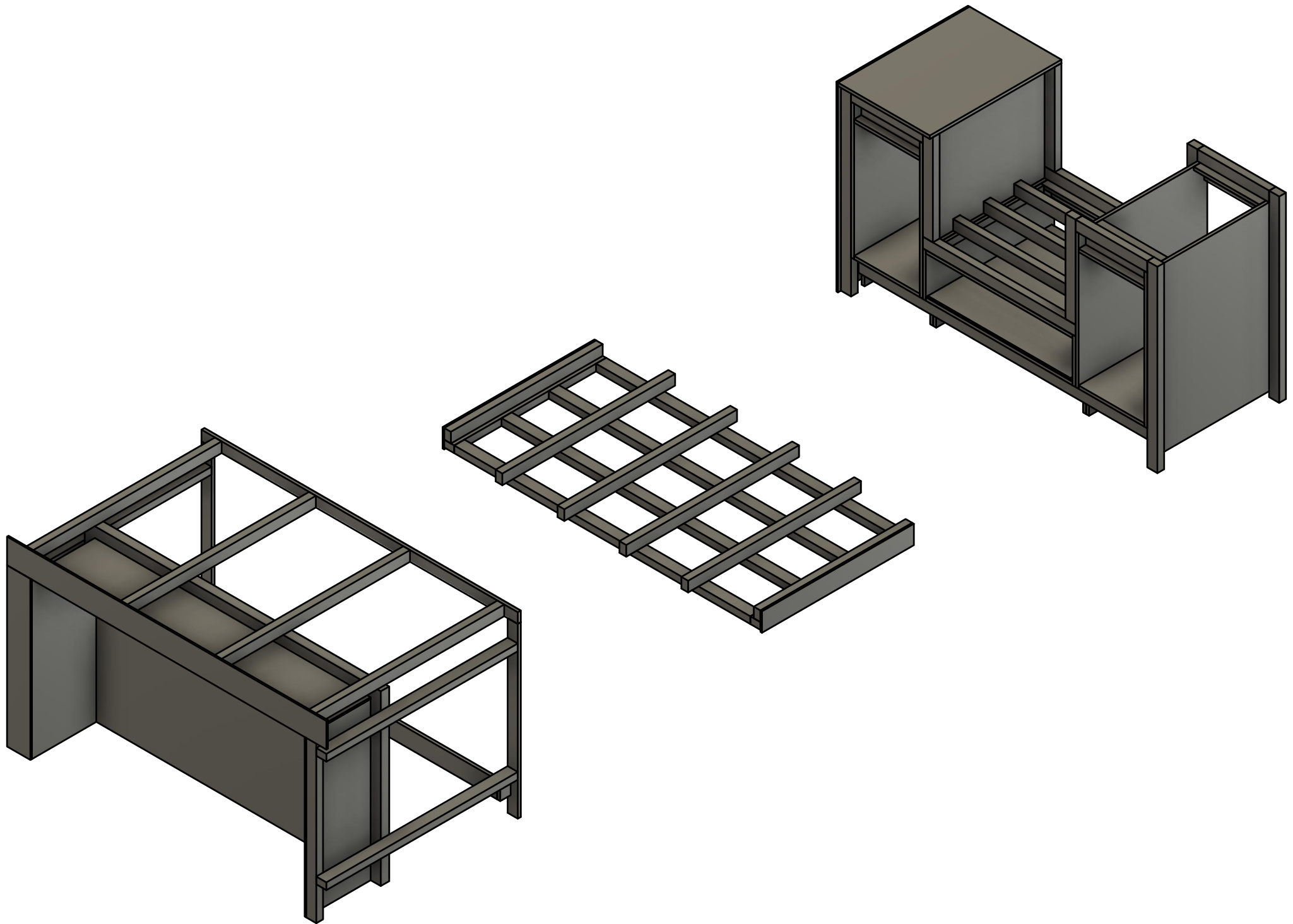


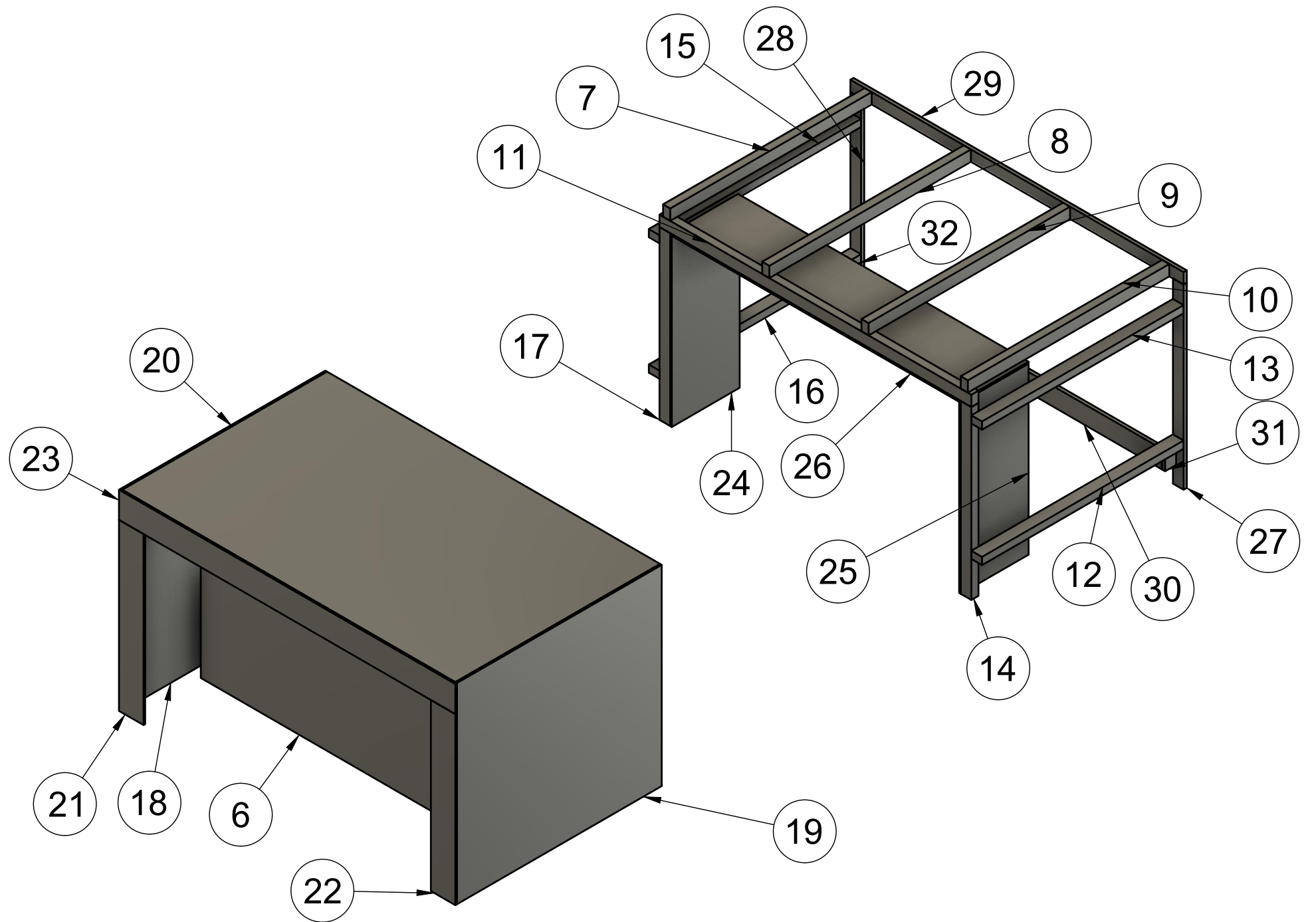
Sergio Gugliandolo

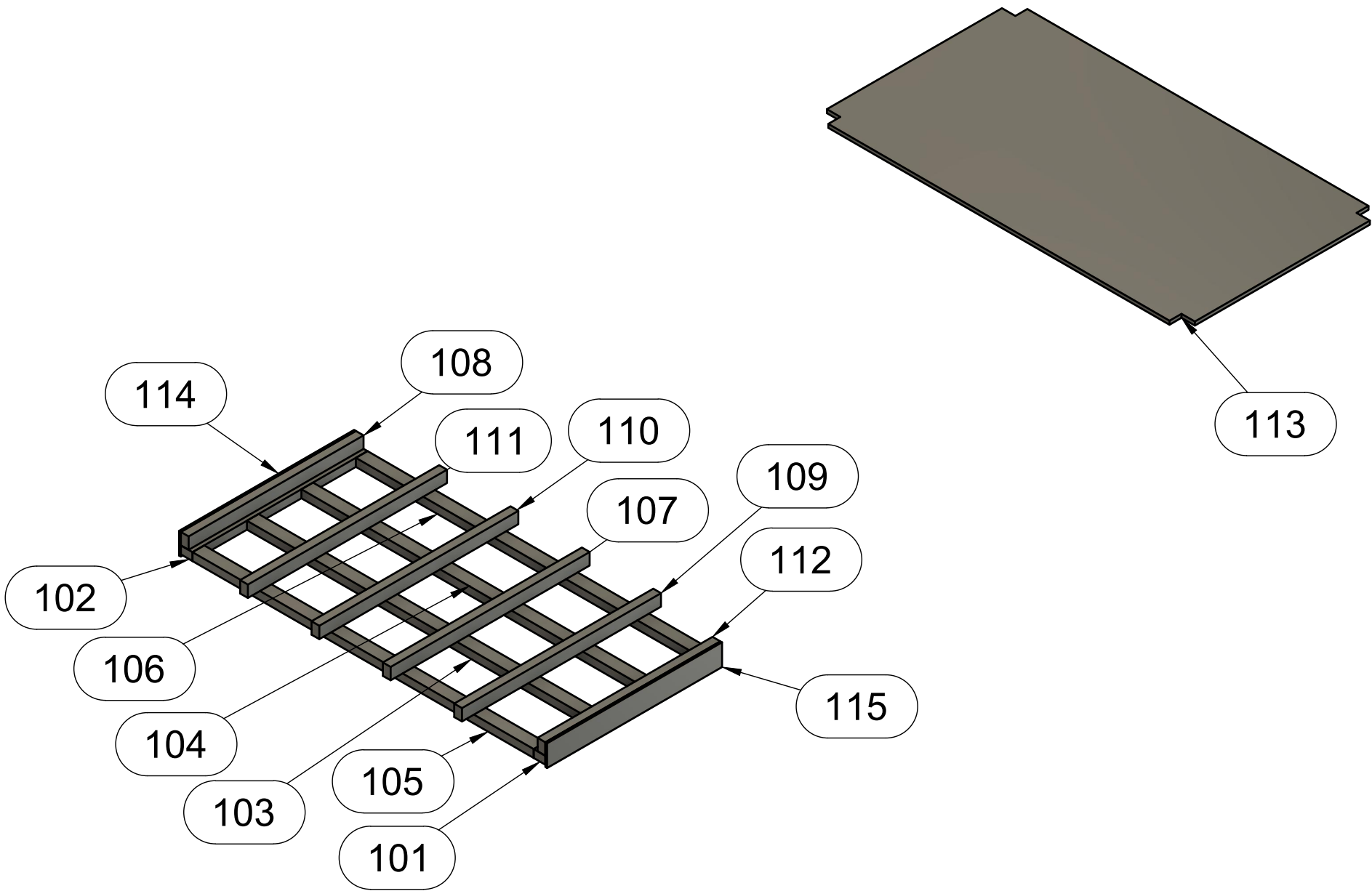












Class part

Week	Activities
101	9:00 AM - 9:30 AM - 9:30 AM
102	9:00 AM - 9:30 AM - 9:30 AM
103	11:00 AM - 9:30 AM - 9:30 AM
104	11:00 AM - 9:30 AM - 9:30 AM
105	11:00 AM - 9:30 AM - 9:30 AM
106	11:00 AM - 9:30 AM - 9:30 AM
107	11:00 AM - 9:30 AM - 9:30 AM
108	9:00 AM - 9:30 AM - 9:30 AM
109	11:00 AM - 9:30 AM - 9:30 AM
110	11:00 AM - 9:30 AM - 9:30 AM
111	11:00 AM - 9:30 AM - 9:30 AM
112	9:00 AM - 9:30 AM - 9:30 AM
113	11:00 AM - 11:30 AM - 9:30 AM
114	9:00 AM - 11:30 AM - 9:30 AM
115	9:00 AM - 11:30 AM - 9:30 AM

